

# Megapixel Vandal-proof Fisheye

## 6 MP 360° Fisheye Network Camera



- Max 30 fps at 6.0 MP (3072 x 2048)
- True Day/Night
- Smart IR 10 m (33 ft)
- 2/1 Alarm in/out, 1/1 Audio in/out, Built in Mic
- Outdoor Rated IP67
- Vandal Resistant IK10
- Intelligent Video System (IVS)
- Onboard Storage
- Five-year Warrant



### System Overview

The Megapixel Fisheye camera delivers 6MP resolution. The camera's elegant blend of aesthetics combined with a range of easy mounting solutions provides an excellent choice for a variety of small to mid-size applications.

### Functions

#### Panorama

Dahua's Fisheye cameras allow for a 360-degree hemispherical image that can be dewarped in order to view individual elements separately. In environments that require broad coverage, panoramic cameras can do the job alone where several cameras would be needed otherwise. With a high resolution sensor providing a 360-degree view, blind spots are eliminated. Easy to install on a ceiling or wall, these cameras are well-suited for office buildings, parking garages, gas stations, and retail environments.

#### True Day/Night

A day/night mechanical IR cut filter makes this camera ideal for applications with fluctuating lighting conditions, delivering color images during the day and automatically switching to monochrome as the scene darkens.

#### Smart IR

The camera's Smart IR technology adjusts to the intensity of camera's infrared LEDs to compensate for the distance of an object. Smart IR prevents IR LEDs from whiting out images as they come closer to the camera. The camera's integrated IR illumination provides high performance in extreme low-light environments up to 10m (33ft).

#### Regions of Interest

Regions of Interest (ROI) is a user defined feature that allows the operator to monitor specific areas of a scene while still maintaining overall situational awareness of less important areas.

### Intelligent Video System (IVS)

With built-in intelligent video analytics, the camera has the ability to detect and analyze moving objects for improved video surveillance. IVS also supports Tripwire analytics, allowing the camera to detect when a pre-determined line has been crossed and Heat map, exporting the daily or hours report that shows the hottest area.

### Protection

The camera's outstanding reliability is unsurpassed due to its rugged design. The camera is protected against water and dust to IP67 standards, making it suitable for indoor or outdoor environments. With its IK10 rated impact resistant design, the camera provides maximum durability against vandals making it capable of withstanding the equivalent of 55 kg (120lbs) of force.

Supporting  $\pm 25\%$  input voltage tolerance, this camera suits even the most unstable conditions for outdoor applications. Its 8KV lightning rating provides protection against the camera and its structure from the effects of lightning.

### Streaming

With a choice of unicast or multicast streaming, bandwidth-efficient viewing, recording and third-party video management can easily be achieved. Multiple streaming enables bandwidth-efficient viewing and recording. Depending on the resolution and frame rate selected on the first stream, the second and third stream provides a copy at a lower resolution.

## Technical Specification

### Camera

<b>Image Sensor</b>	1/1.8-in. CMOS
<b>Effective Pixels</b>	3072 (H) x 2048 (V)
<b>ROM / RAM</b>	128 MB / 1 GB
<b>Scanning System</b>	Progressive
<b>Electronic Shutter Speed</b>	1/3(4) to 1/100,000s
<b>Minimum Illumination</b>	Color: 0.01 Lux at F2.0; 0Lux at F2.0 (IR on)
<b>S/N Ratio</b>	More than 50dB
<b>IR Distance</b>	10 m (33 ft)
<b>IR On/Off Control</b>	Auto / Manual
<b>IR LEDs</b>	3

### Lens

<b>Lens Type</b>	Fixed
<b>Mount Type</b>	Board-in
<b>Focal Length</b>	1.55 mm
<b>Max Aperture</b>	F2.0
<b>Angle of View</b>	185°/185°/185°
<b>Focus Control</b>	Fixed

### Alarm and Audio

<b>Alarm In/Out</b>	2/1
<b>Audio In/Out</b>	1/1 channel In/Out(Built in Mic)

### Video

<b>Compression</b>	H.264 / MJPEG
<b>Streaming Capability</b>	2 Streams
<b>Resolution</b>	6 MP (3072 × 2048), 3 MP (2048 × 1536), 1080p (1920 × 1080)
<b>Frame Rate</b>	Main Stream 6 MP at 30 fps Sub Stream 1 D1/CIF at 30 fps
<b>Bit Rate Control</b>	CBR / VBR
<b>Bit Rate</b>	H.264: 40 K to 8192 Kbps
<b>De-wrap Mode</b>	Original, Panoramic, Double Panoramic, 1+3, Eptz, 4 pictures
<b>Day/Night</b>	Auto (ICR) / Color / B/W
<b>BLC Mode</b>	BLC / HLC / DWDR
<b>White Balance</b>	Auto / Manual
<b>Gain Control</b>	Auto / Manual
<b>Noise Reduction</b>	3D DNR
<b>Motion Detection</b>	Off / On (4 Zone, Rectangle)
<b>Region of Interest</b>	Off / On (4 Zone)
<b>Smart IR</b>	N/A
<b>Digital Zoom</b>	16x
<b>Privacy Masking</b>	Off / On (4 Area, Rectangle)

### Network

<b>Ethernet</b>	RJ-45 (10/100 Base-T)
<b>Protocol</b>	IPv4/ IPv6, HTTP, HTTPS, SSL, TCP/IP, UDP, UPnP, ICMP, IGMP, SNMP, RTSP, RTP, SMTP, NTP, DHCP, DNS, PPPOE, DDNS, FTP, IP Filter, QoS, Bonjour, 802.1x
<b>Interoperability</b>	ONVIF, PSIA, CGI
<b>Streaming Method</b>	Unicast / Multicast
<b>Max. User Access</b>	20
<b>Edge Storage</b>	NAS (Network Attached Storage), Local PC for instant recording, Micro SD 64GB
<b>Web Viewer</b>	IE 10, Firefox, Safari
<b>Management Software</b>	Smart PSS, DSS
<b>Mobile Operating System</b>	Android, IOS

## Certifications

<b>Certifications</b>	FCC (SEFD1412194-A ) UL (E234884-A51-UL)
-----------------------	---

## Electrical

<b>Power Supply</b>	12 VDC ±25%, PoE (af Class 0)
<b>Power Consumption</b>	Max. 11 W (12 VDC, IR On)

## Environmental

<b>Operating Conditions</b>	-30°C to +60°C (-22°F to +140°F), Less than 90% RH
<b>Storage Conditions</b>	-30°C to +60°C (-22°F to +140°F), Less than 90% RH
<b>Ingress Protection</b>	IP67
<b>Vandal Resistance</b>	IK10

## Construction

<b>Casing</b>	Metal
<b>Dimensions</b>	Φ150.0 mm × 50.70 mm (5.91 in. x 2.76 in. x 2.00 in.)
<b>Net Weight</b>	0.58 kg (1.28 lb)
<b>Gross Weight</b>	0.86 kg (1.90 lb)

## Intelligence

IVS triggers an alarm and takes a defined action for the following events:

<b>Standard Features</b>	Tampering with the camera. Error writing to an onboard Micro SD card. Error sending or receiving data over the network. Unauthorized access to the camera.
<b>Premium Features</b>	
<b>Motion</b>	An object moves through any part of the scene.
<b>Tripwire</b>	A target crosses a user-defined line.
<b>Intrusion</b>	A target enters or exits a defined perimeter.
<b>Scene Change</b>	A person or object moves the camera to change the scene or covers the camera to obscure the scene.
<b>Abandoned/Missing Object</b>	A target leaves an object in designated area, or a target removes an object from the same designated area.
<b>Advanced Features</b>	
<b>Heat Map</b>	Generates a visual representation of data.

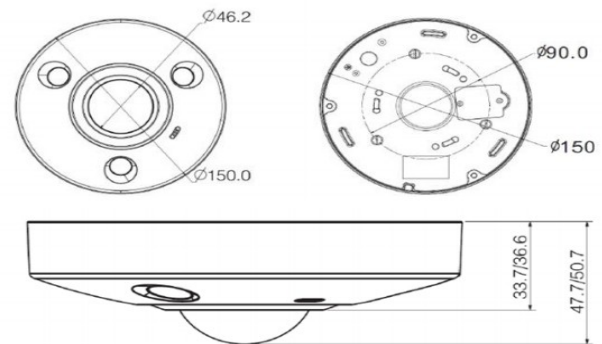
## Accessories

Optional:



Junction Mount	Pole Mount
<b>PFA132</b>	<b>PFA100+PFB302S+PFB152</b>
<b>Wall Mount</b>	
<b>PFA100+PFB302S</b>	<b>Ceiling Mount</b>
	<b>PFA100+PFB300C</b>

## Dimensions (mm/inch)



## Ordering Information

Type	Part Number	Description
6MP Camera	DH-IPC-EBW86A0N	6MP, 1.55 mm, DWDR, IK10, PoE, IVS
Accessories	PFA100	Wall Mount
	PFA132	Junction Box
	PFA152	Pole Mount Bracket (for use with PFA123)
	PFB300C	Ceiling Mount (For use with PFA100 wall mount)
	PFB302S	Wall Mount (For use with PFA100 wall mount)