

Technical Specification

System

Main Processor	Embedded Quad-core Processor
Operating System	Embedded Linux

Audio and Video

IP Camera Input	Eight (8) Channels
Two-way Talk	Input: One (1) Channel, RCA Output: One (1) Channel, RCA

Display

Interface	One (1) HDMI One (1) VGA
Native Output Resolution	3840 x 2160, 1920 x 1080, 1280 x 1024, 1280 x 720, 1024 x 768
Maximum Decoding	Two (2) Channels of 4K/6 MP at 30 fps Three (3) Channels of 5 MP at 30 fps Four (4) Channels of 4 MP/3 MP at 30 fps Four (4) Channels of 1080p at 30 fps Eight (8) Channels of 1080p at 60 fps
Multi-screen Display	1/4/8/9
On-screen Display	Camera Title, Time, Video Loss, Camera Lock, Motion Detection, Recording

Recording

Compression	H.265, H.264, MJPEG
Supported IP Camera Resolution	8 MP, 6 MP, 5 MP, 4 MP, 3 MP, 1080p, 1.3 MP, 720p, D1, CIF,
Maximum Incoming Bandwidth	200 Mbps
Bit Rate	16 Kbps to 20 Mbps per channel
Record Mode	Manual, Schedule (Regular, Continuous), Motion Detection (Video Detection, Motion Detection, Tampering, Video Loss), Stop
Record Interval	1 to 120 minutes (default: 60 minutes) Pre-record: 1 to 30 s Post-record: 10 to 300 s

Video Detection and Alarm

Trigger Events	Recording, PTZ, Tour, Alarm Out, Video Push, Email, FTP, Snapshot, Buzzer and Screen Tips
Video Detection	Motion Detection, MD Zones: 396 (22 x 18), Video Loss and Tampering
Alarm Input	Four (4) Channels, Low Level Effective, Green Terminal Interface
Relay Output	Two (2) Channels, NO/NC Programmable, Green Terminal Interface

Playback and Backup

Sync Playback	1/4/8
Search Mode	Time/Date, Alarm, MD and Exact Search (accurate to one second), Smart Search
Playback Function	Play, Pause, Stop, Rewind, Fast Play, Slow Play, Next File, Previous File, Next Camera, Previous Camera, Full Screen, Repeat, Shuffle, Backup Selection, Digital Zoom
Backup Mode	USB Device, Network

Third-party Support

Third-party Support	Dahua, Arecont Vision, AXIS, Bosch, Brickcom, Canon, CP Plus, Dynacolor, Honeywell, Panasonic, Pelco, Samsung, Sanyo, Sony, Videotec, Vivotek, and others
---------------------	---

Network

Ethernet	One (1) RJ-45 Port (10/100/1000 Mbps)
PoE	Eight (8) Ports (IEEE802.3af/at)
Network Function	HTTP, HTTPS, TCP/IP, IPv4/IPv6, UPnP, RTSP, UDP, SMTP, NTP, DHCP, DNS, IP Filter, PPPoE, DDNS, FTP, Alarm Server, IP Search (Support for Dahua IP cameras, DVRs, NVS)
Maximum User Access	128 Users
Mobile Operating System	IOS, Android
Interoperability	ONVIF 2.4, CGI Conformant

Storage

Internal HDD	Two (2) SATA III Ports, Up to 8 TB capacity for each HDD
HDD Mode	Single

Auxiliary Interface

USB	One (1) USB 3.0 Port One (1) USB 2.0 Port
-----	--

Electrical

Power Supply	100 VAC to 240 VAC, 50/60 Hz
Power Consumption	NVR: < 9.6 W, without HDD
Total PoE Budget	25.5 W single port, 130 W total

Environmental

Operating Conditions	-10° C to +55° C (+14° F to +131° F)
Storage Conditions	-20° C to +70° C (-4° F to +158° F), 0 to 90% RH

Construction

Dimensions	
NVR	1U, 375.0 mm x 281.50 mm x 56.0 mm (14.80 in. x 11.10 in. x 2.20 in.)
NVR with PFH101 Rack Mount Tray	482.60 mm x 281.50 mm x 56.0 mm (19.0 in. x 11.10 in. x 2.20 in.)
Net Weight	2.6 kg (5.73 lb), without HDD
Gross Weight	4.0 kg (8.82 lb), without HDD

Certifications

CE	EN55032, EN55024, EN60950-1
Safety	UL 60950-1 CAN/CSA C22.2 No.60950-1
Electromagnetic Compatibility (EMC)	FCC CFR 47 Part 15 Subpart B ANSI C63.4-2014

Intelligence

IVS triggers an alarm and takes a defined action for the following events:

Standard Features	<ul style="list-style-type: none"> • Tampering with the camera. • Camera loses or changes focus drastically. • Error writing to an onboard Micro SD card. • Error sending or receiving data over the network. • Unauthorized access to the camera.
-------------------	---

Premium Features	
Motion	An object moves through any part of the scene.
Tripwire	A target crosses a user-defined line.
Intrusion	A target enters or exits a defined perimeter.
Scene Change	A person or object moves the camera to change the scene or covers the camera to obscure the scene.
Abandoned/Missing Object	A target leaves an object in designated area, or a target removes an object from the same designated area.

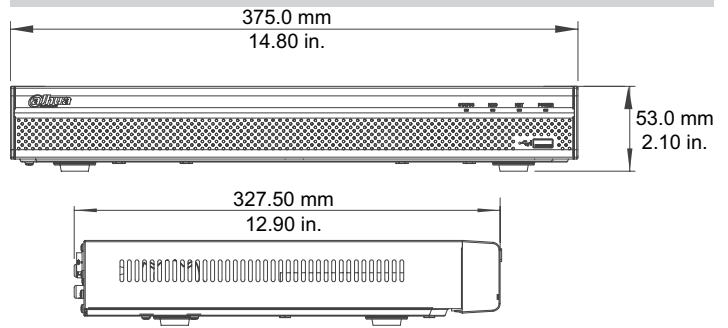
Advanced Features (records data from IP cameras with Advanced Features)

Facial Detection	Detects and captures a snapshot of a human face in a defined area within a scene.
People Counting	Measure the number of customers, visitors or passengers in a surveillance scene.
Heat Map	Generates a visual representation of data.

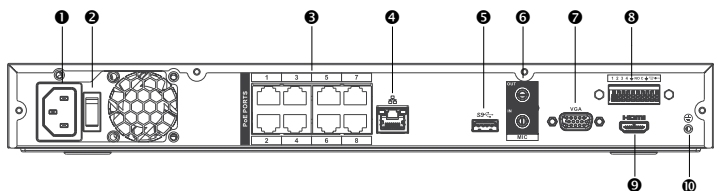
Ordering Information

Type	Part Number	Description
8-channel NVR	N42B2P1	8-channel 1U 8 PoE 4K H.265, 1 TB HDD Lite Network Video Recorder
	N42B2P2	8-channel 1U 8 PoE 4K H.265, 2 TB HDD Lite Network Video Recorder
	N42B2P3	8-channel 1U 8 PoE 4K H.265, 3 TB HDD Lite Network Video Recorder
	N42B2P4	8-channel 1U 8 PoE 4K H.265, 4 TB HDD Lite Network Video Recorder
	N42B2P6	8-channel 1U 8 PoE 4K H.265, 6 TB HDD Lite Network Video Recorder
Accessory, optional	PFH101	Rack Mount Tray 482.60 mm x 281.20 mm x 43.7 mm (19.0 in. x 11.07 in. x 1.72 in.)

Dimensions (mm/in.)



Rear Panel



1	Power Input	6	Audio Input/Output
2	On/Off Button	7	VGA Output
3	PoE Ports (x8)	8	Alarm Input/Output
4	Ethernet Port (1000 Mbps)	9	HDMI Output
5	USB 2.0 Port	10	Ground